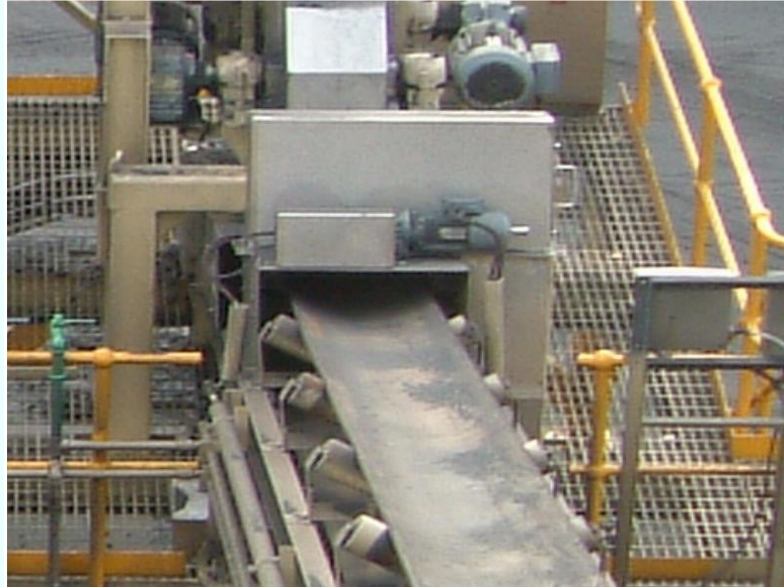


QHS

Quality Handling Systems Pty Ltd



CROSS BELT SAMPLER - MEDIUM SERIES -

QHS Cross Belt Samplers are designed to collect representative samples of bulk materials from moving conveyor belts. These samplers comply with the requirements of Australian and International Standards for the sampling of bulk materials.



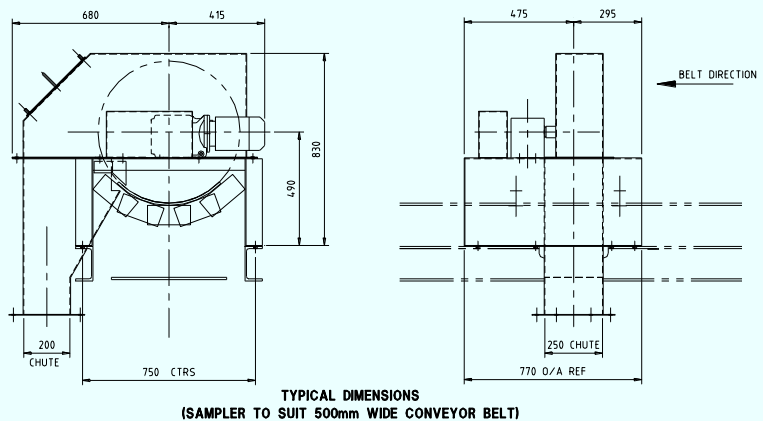
QHS medium series Cross Belt Samplers are available to suit conveyors up to a 600 mm belt width. They are often used as secondary or tertiary samplers in sampling systems.



Features

The QHS Medium Series Cross Belt Sampler may appear similar to many other brands of Cross Belt Sampler, but there are some important features that other brands do not often include :

- The sample cutter is driven electro-mechanically through a 360° sample stroke. The electro-mechanical drive ensures a constant cutting velocity is maintained through the complete material stream being sampled.
- The sample cutter is angled to match the angle of the resultant velocity of the belt and cutter velocities. This ensures the cutter follows the sample cut path on the belt, to maintain sample integrity.
- Specially designed, belt profiling elements are used either side of the sampler to form the conveyor belt to suit the radial path of the sample cutter.
- The sample cutter is manufactured in stainless steel and is designed to push down on the conveyor belt during the sample cut to ensure collection of fines from the belt.
- A manual brake release system is provided for moving the cutter and drive for maintenance.
- Full safety guarding is provided in compliance with AS1755 and AS4024.1.
- The frame, chutes and covers on the sampler are fabricated in stainless steel
- All fasteners, including studs, nuts, etc. are stainless steel.
- Special designs are available to suit unique materials or requirements, e.g. completely enclosed units for sampling ultra fine material.



For further information or advice on sampling equipment, please contact:

Quality Handling Systems Pty Ltd

ABN 68 058 807 766

Main Office: 6 Metters Place (PO Box 6987)
Wetherill Park, Sydney, Australia 2164

Telephone: 61 2 9756 1921
E-mail: qhs@qhs.com.au

Fax: 61 2 9756 4212
Website: www.qhs.com.au

QHS European Agent - Bulk Testing International (BTI), France

Telephone: 33 235711760
E-mail: adeloye@bti-europe.eu

Fax: 33 235887519
Website: www.bti-europe.eu

QHS Indonesian Agent - PT. Geoservices (Ltd)

Telephone: 62 542 872157 or 872152 Fax: 62 542 872151
E-mail: steve.studdert@geoservices.co.id or E-mail: bdgoff@geoservices.co.id
Website: www.geoservices.co.id

Quality Handling Systems Pty Ltd are continually striving to improve our products and we therefore reserve the right to alter design and/or specifications without notice.