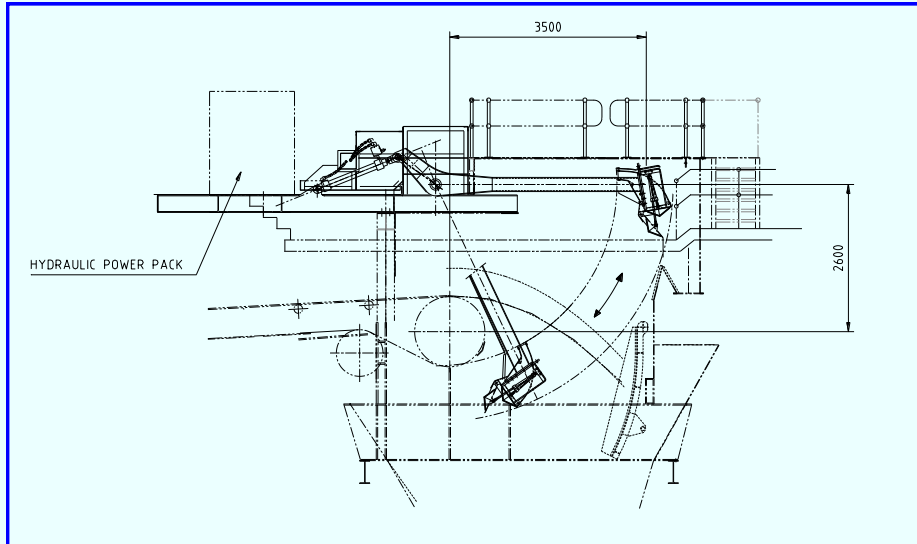


# QHS

## Quality Handling Systems Pty Ltd



### SWING ARM SAMPLER

QHS Swing Arm Samplers are designed to collect representative samples from bulk materials discharged from the head pulley of belt conveyors. These samplers comply with the requirements of Australian and International Standards for the sampling of bulk materials.

QHS Swing Arm Samplers are available to suit up to 2,500 mm wide belts and flowrates up to 12,000 t/h.

QHS Swing Arm Samplers require less height to install than other head end type samplers.



Hydraulic drive on large Swing Arm Sampler



## Features

- Available to suit conveyor belts up to 2,500 mm and operating at 12,000 t/h.
- Suitable for sampling wet or dry materials.
- Available in hydraulic or electro-mechanical drives, depending upon the application. Both drive types provide uniform velocity through the complete sample cut in accordance with Standards requirements.
- Sample Cutter/Bucket fabricated in stainless steel. The cutter includes replaceable cutter lips. Cutter lips are generally stainless steel. Other materials (e.g., cast manganese steel) are provided to suit the material being sampled.
- A minimal number of moving parts ensure minimal maintenance requirements.



This sampler was designed for a 10,500 t/h conveyor

For further information or advice on sampling equipment, please contact:

### **Quality Handling Systems Pty Ltd**

ABN 68 058 807 766

Main Office: 6 Metters Place (PO Box 6987)  
Wetherill Park, Sydney, Australia 2164

Telephone: 61 2 9756 1921

Fax: 61 2 9756 4212

E-mail: [qhs@qhs.com.au](mailto:qhs@qhs.com.au)

Website: [www.qhs.com.au](http://www.qhs.com.au)

### **QHS European Agent - Bulk Testing International (BTI), France**

Telephone: 33 235711760

Fax: 33 235887519

E-mail: [adeloye@bti-europe.eu](mailto:adeloye@bti-europe.eu)

Website: [www.bti-europe.eu](http://www.bti-europe.eu)

### **QHS Indonesian Agent - PT. Geoservices (Ltd)**

Telephone: 62 542 872157 or 872152 Fax: 62 542 872151

E-mail: [steve.studdert@geoservices.co.id](mailto:steve.studdert@geoservices.co.id) or E-mail: [bdgoff@geoservices.co.id](mailto:bdgoff@geoservices.co.id)

Website: [www.geoservices.co.id](http://www.geoservices.co.id)

Quality Handling Systems Pty Ltd are continually striving to improve our products and we therefore reserve the right to alter design and/or specifications without notice.