

QHS

Quality Handling Systems Pty Ltd



ROTARY CHUTE (VEZIN) SAMPLER

QHS Rotary Chute Samplers are designed to collect representative samples from the falling stream of bulk materials, or slurries, in pipelines or chutes. They can be used as Primary Samplers or as Secondary or subsequent Samplers/Dividers in a sampling system.

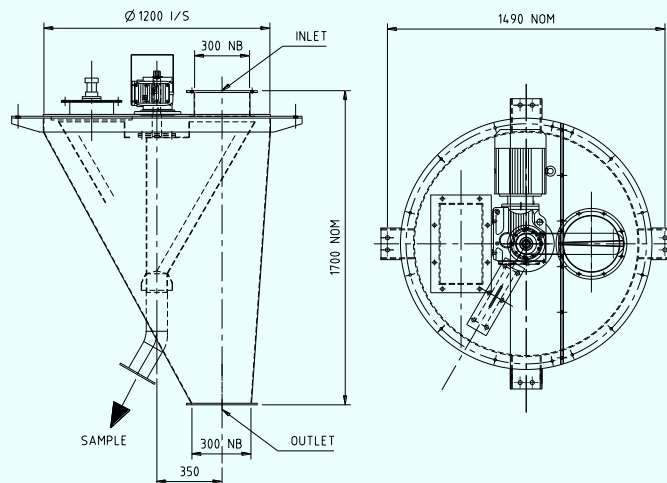


These samplers comply with the requirements of Australian and International Standards for the sampling of bulk materials and slurries.



Features

- The Rotary Chute Samplers can operate as a continuous divider, or intermittently taking only one sample cut of the material stream per operation.
- The Rotary Chute Cutter is driven by an electro-mechanical drive. The electro-mechanical drive ensures a constant cutting velocity is maintained while the cutter is travelling through the complete stream of material being sampled.
- The cutter and housing are normally fabricated in stainless steel. Various other materials are available to suit highly abrasive materials. A variety of liner materials are also available, ranging from low friction UHMW polyethylene to inhibit build up of sticky materials, to alumina tiling for highly abrasive slurries.
- Each unit is designed to suit the particular application. This ensures the special handling characteristics of the particular material to be sampled are catered for and all sampling criteria is satisfied.



For further information or advice on sampling equipment, please contact:

Quality Handling Systems Pty Ltd

ABN 68 058 807 766

Main Office: 6 Metters Place (PO Box 6987)
Wetherill Park, Sydney, Australia 2164

Telephone: 61 2 9756 1921

E-mail: qhs@qhs.com.au

Fax: 61 2 9756 4212

Website: www.qhs.com.au

QHS European Agent - Bulk Testing International (BTI), France

Telephone: 33 235711760

E-mail: adeloye@bti-europe.eu

Fax: 33 235887519

Website: www.bti-europe.eu

QHS Indonesian Agent - PT. Geoservices (Ltd)

Telephone: 62 542 872157 or 872152 Fax: 62 542 872151

E-mail: steve.studdert@geoservices.co.id or E-mail: bdgoff@geoservices.co.id

Website: www.geoservices.co.id

Quality Handling Systems Pty Ltd are continually striving to improve our products and we therefore reserve the right to alter design and/or specifications without notice.