

# Quality Handling Systems Pty Ltd



## **QHS BELT FEEDER**

The QHS Belt Feeder is used for feeding samples between various items of equipment in sampling systems.

These feeders satisfy the three most important criteria for sample plant equipment :-

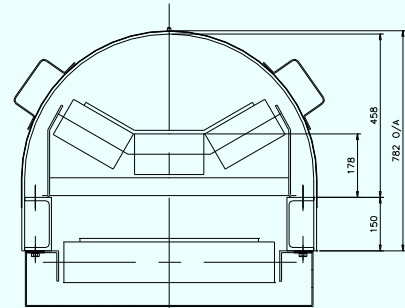
- They maintain sample integrity .
- They are reliable and require minimal maintenance.
- They are robustly constructed.



## Features

The QHS Belt Feeder is similar to other belt conveyors used in industry, but it includes a number of special features to improve its performance, reliability and service life :-

- A heavy duty mild steel frame in painted or galvanised finish. Optional stainless steel frames are also available.
- The head chute is fabricated in stainless steel.
- Belt types vary depending on the application, but are generally 2 or 3 ply PN150 with 3 x 1.5 mm covers. The joint is hot vulcanised.
- The belt is supported on 3 roll x 20° to 35° troughing idlers, or alternatively, stainless steel slider trays on shorter belts.
- The head and tail pulleys are crowned and include grooved lagging.
- The pulley support bearings are spherical roller bearings in heavy duty split labyrinth housings. Taconite seal type housings available.
- The feeder is driven at the head pulley via a shaft-mounted electric gearmotor. The gearbox is a heavy duty helical bevel type and the shaft mount is sealed against corrosion.
- Stainless steel screw take ups are provided at the tail pulley for belt tensioning and tracking.
- Skirts are provided at the feed points. These skirts are fabricated in stainless steel.
- A counterweighted multi blade type belt scraper is provided at the head pulley. The scraper frame is fabricated in stainless steel.
- All feeders (with the exception of some used as reject feeders) are covered over their entire length to prevent contamination of the sample via moisture or dust loss or ingress. These covers are fabricated in stainless steel.
- Guarding is provided to ensure full compliance with AS1755 and AS4024.1.
- Optional extras available include belt underspeed detectors, belt drift switches and lanyard switches



TYPICAL CROSS SECTION THROUGH  
QHS BELT FEEDER

For further information or advice on sampling equipment, please contact:

### Quality Handling Systems Pty Ltd

ABN 68 058 807 766

Main Office: 6 Metters Place (PO Box 6987)  
Wetherill Park, Sydney, Australia 2164

Telephone: 61 2 9756 1921

E-mail: [qhs@qhs.com.au](mailto:qhs@qhs.com.au)

Fax: 61 2 9756 4212

Website: [www.qhs.com.au](http://www.qhs.com.au)

### QHS European Agent - Bulk Testing International (BTI), France

Telephone: 33 235711760

E-mail: [adeloye@bti-europe.eu](mailto:adeloye@bti-europe.eu)

Fax: 33 235887519

Website: [www.bti-europe.eu](http://www.bti-europe.eu)

### QHS Indonesian Agent - PT. Geoservices (Ltd)

Telephone: 62 542 872157 or 872152

E-mail: [steve.studdert@geoservices.co.id](mailto:steve.studdert@geoservices.co.id) or E-mail: [bdgoff@geoservices.co.id](mailto:bdgoff@geoservices.co.id)

Website: [www.geoservices.co.id](http://www.geoservices.co.id)

Quality Handling Systems Pty Ltd are continually striving to improve our products and we therefore reserve the right to alter design and/or specifications without notice.